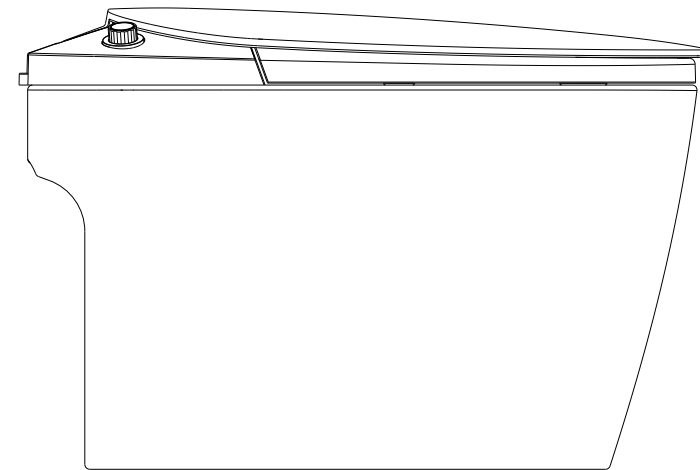


# Non-Electric Mechanical Bidet Toilet

Integrated



## Certificate of Quality

Inspector:

Date of production:

Passed Inspection, Approved for Release

- Thanks for choosing our products!
- In order to use this product safely and avoid accidents, please be sure to read the manual carefully.
- Please keep this Instruction Manual safe.

## Index

Index .....	01
Installation .....	02
Function Introduction .....	03
Component Names Engineering Drawing .....	04
Installation Guide .....	05-06
Instruction for Use .....	07
Cleaning and Maintenance .....	08-09
Product Specifications .....	10

## Installation

To prevent personal injury and property damage to the user and others, please carefully read the following safety precautions and strictly adhere to them. After reading, please keep this manual in a prominent location for future reference.



**Prohibited**

\* Smoking and other combustible materials are strictly prohibited from being ignited and thrown into the toilet, as it may cause a fire.



**Attention**

- \* Do not apply excessive force or impact to the product; do not stand on the toilet seat or lid, do not place heavy objects, and do not press or lean on the lid forcefully to avoid damaging the product.
- \* Do not use banana water, gasoline, chemicals, insecticides, toilet cleaners, or abrasive brushes to clean this product.
- \* Do not use cold water sources other than tap water or potable well water (groundwater), as it may cause skin inflammation or other ailments.
- \* Avoid direct sunlight on the product to prevent discoloration or burns caused by unstable temperatures.
- \* Newly renovated houses may have residual mud, sand, and other materials in the pipes that can damage the machine. Please flush the sewage in the pipes before installation.
- \* Do not install this product in rooms with humidity exceeding 90% RH; the usage environment should be kept dry and separate, such as installing a shower room or shower curtain.
- \* Do not subject the ceramic parts to impact or force to prevent ceramic breakage and water leakage.
- \* Do not use any paper other than toilet paper, and avoid dropping objects that can clog the drain into the toilet bowl.
- \* Do not connect the water inlet pipe to the water outlet pipe of the water heater; ensure the water inlet temperature is between 3°C and 35°C.



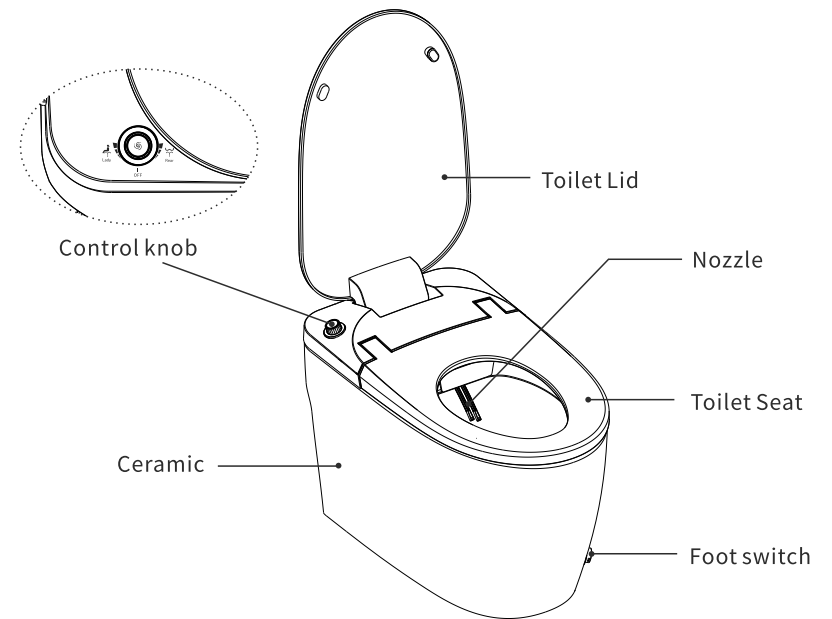
**Abidance**

- \* People with physical, sensory, or intellectual disabilities, or those lacking experience and knowledge (including children), should use this product only under adult supervision.
- \* During installation, use the new hose components provided with the appliance; do not reuse old hose components.
- \* Take precautions to prevent damage caused by freezing; if the room temperature is below 0°C, it is recommended to drain the water inside the product to prevent internal freezing and cracking.
- \* When not in use for an extended period, please turn off the water supply and drain all water from the product.
- \* Do not supply water to the product until installation is complete.
- \* After the appliance is scrapped, please hand it over to a qualified professional recycling company or organization for disposal. Do not discard it casually to avoid environmental hazards.

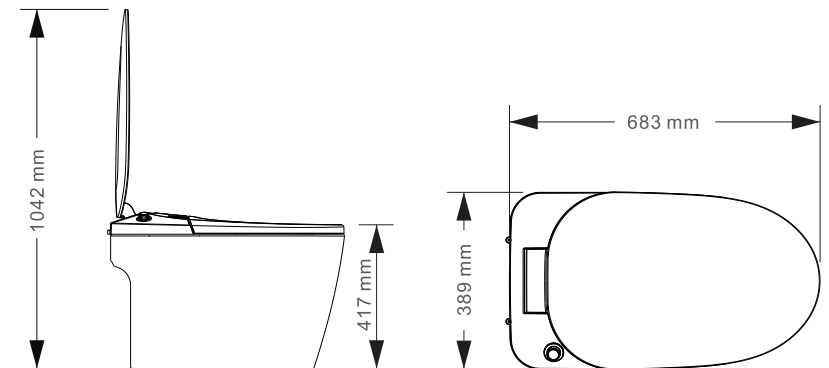
## Function Introduction

Functions	Introduction
Rear	Water is sprayed from the nozzle of the independent dedicated spray arm for thorough cleaning of the posterior area.
Lady	Water is sprayed from the nozzle of the independent dedicated spray arm for gentle cleaning of the feminine area.
Flush	Activates the toilet flushing system to effectively remove waste from the bowl, ensuring a clean and hygienic environment after use.
Nozzle Self-Cleaning	The nozzle automatically performs a thorough self-cleaning cycle before and after each use, maintaining optimal hygiene and preventing cross-contamination.
Foot-Activated Flush	Enables hands-free flushing via the foot switch, promoting a more hygienic and convenient operation without the need for manual contact.

## Component Names



## Engineering Drawing



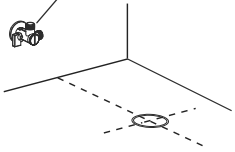
### Notes:

1. The product appearance illustrations in this manual are for reference only. We reserve the right to modify the product appearance.
2. If there are any changes to the product appearance, the actual product shall prevail.
3. Dimensions are measured manually, with possible errors, and are for reference only.

## Installation Guide

### 1. Install matching angle valve

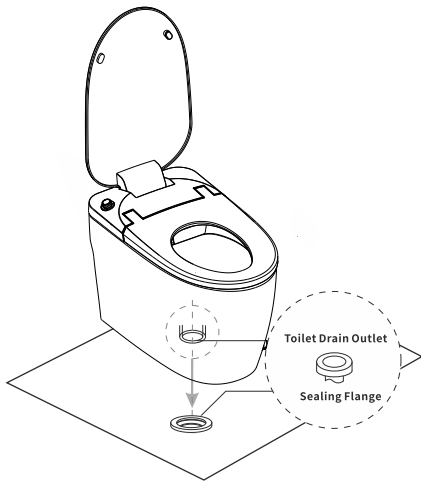
Install the matching angle valve at a suitable position on the wall.



\*If an old angle valve is already installed on the wall, it must be replaced by a professional to prevent installation failure caused by improper disassembly.

### 3. Install the toilet.

Place the toilet into position and press down firmly until the ceramic is level with the floor.

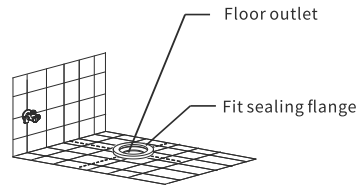


\*Please keep the floor clean and dry before installation.

\*As the toilet is heavy, please lift the seat and cover before installation, and have two people lift it together as shown in the diagram.

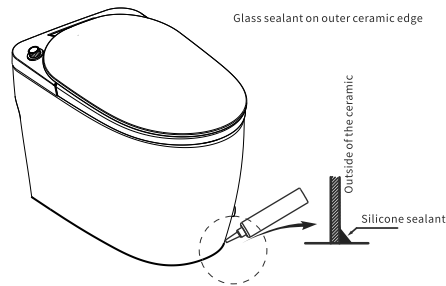
### 2. Install the sealing flange

Clean up any dirt and debris from the floor drain outlet and the toilet drain outlet, then fit the sealing flange over the floor drain outlet.



### 4. Apply silicone sealant

Apply high-quality mildew-resistant silicone sealant around the bottom edge of the toilet.

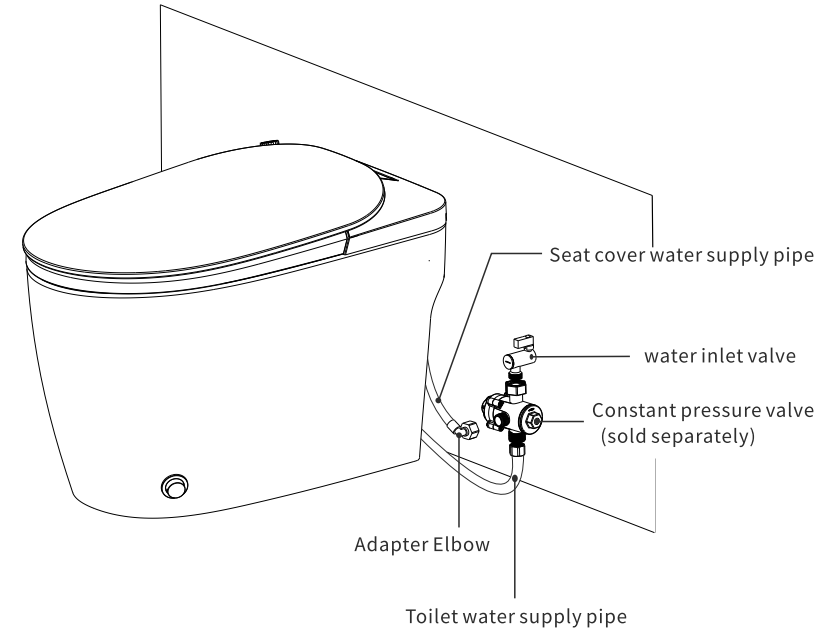


## Installation Guide

### 5. Connecting the water supply pipe

Use wrench to connect the inlet hose and the installed water inlet valve.

Note: please check if there is any water leakage after installation.



#### \*Warm Tips:

please turn on the water supply. The water will run continuously for the first time until the tank is full, then it will stop automatically. Only then can it be used normally.

## Instruction for Use

### ■ Knob

- Clockwise: Lady wash
- Middle: Off
- Counterclockwise: Hip Cleaning



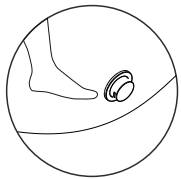
### ■ Manual button flush

- Press the middle of the knob to start flushing.



### ■ Foot flush

- Kick the foot kick button once to activate flushing.



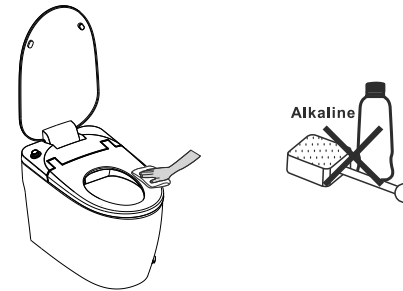
## Cleaning and Maintenance

### ■ Cleaning and Maintenance of the Toilet Seat

- When cleaning the surface of the main unit, please use a soft cloth dampened with water.
- If there are stubborn stains on the product surface, you can use a soft cloth dampened with neutral kitchen detergent to scrub.

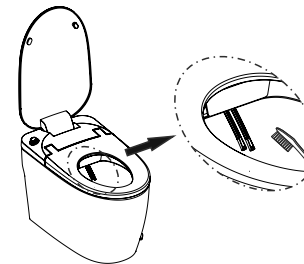
### ■ Cleaning and Maintenance of the Ceramic part of Toilet

- Please do not use cleaning agents or disinfectants that contain chlorine or are acidic.
- Please do not use brushes with abrasive materials.



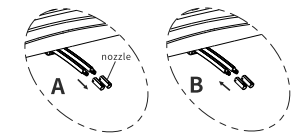
### ■ Cleaning and Maintenance of the Nozzle

#### Nozzle cleaning



Pull out the nozzle softly and use cloth/sponge or toothbrush with kitchen detergent to clean it.

#### Nozzle replacement



1. Pull out the nozzle softly and hold the tube. Remove the nozzle along the arrow direction as figure A.
2. Hold the tube and insert the new nozzle along the arrow direction as figure B

## Cleaning and Maintenance

### ■ Cleaning and Maintenance of the Inlet water filter

\*It is recommended to clean the filter every 4 to 6 months (the actual cleaning interval depends on water quality).

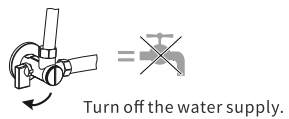
1. Loosen the nut and remove the cleaning filter.
2. Wash the filter with cleanwater and brush.
3. Install the filter and tighten the nut.



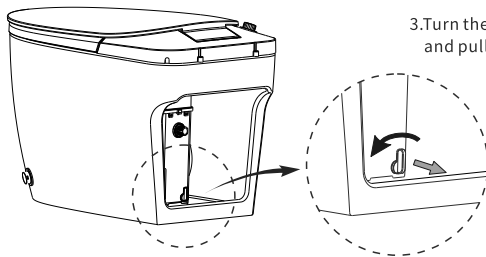
### ■ When not in use for an extended period

\*Especially in winter, if you are away from home for a long time, be sure to drain all water from the water tank and pipelines to prevent freezing.

1. First, close the inlet angle valve.
2. Unscrew the hose and drain the water from the pipeline.



3. Turn the tank drain handle counterclockwise and pull out the drain plate.



#### \*Warm Tips:

Before using the toilet again, please turn on the water supply. The water will run continuously for the first time until the tank is full, then it will stop automatically. Only then can it be used normally.

## Product Specifications

Item	Specification
Product Name	Non-Electric Mechanical Integrated Toilet
Product Type	Cold Water Mechanical Type
Core Functions	Rear Wash, Lady Wash, Foot-Activated Flush
Control Method	Side Mechanical Knob + Foot Switch
Water Supply	Inlet Pressure: 0.1MPa ~ 0.75MPa Inlet Temperature: 5°C ~ 35°C
Flow Rate	(Rear Wash Flow) : 0.5~0.78L/min ±0.3L (Lady Wash Flow) : 0.4~0.68L/min ±0.3L (Flush Volume) : ≤5L
Dimension	LWH: 683*389*467mm
Rough-in Size	300mm / 400mm